



## Webby Sundress or Skirt

*Get two garments in one — this clever frock can be worn as a sundress or a skirt.*

LW2408



Designed by Double Stitch.

**Directions are for size Small; changes for sizes Medium, Large, X-Large and XX-Large are in parentheses.**

**Finished Bust/Waist:** 27 (32, 37, 42, 48)”.  
**Finished Length:** 30”.

**NOTE:** This garment has a good amount of ease and measurements will change when worn.

**STITCH NATION® “Bamboo Ewe™”:** 1 Ball each 5625 Sprout **A** and 5705 Snapdragon **B**.

**Crochet Hook:** 5mm [US H-8].  
Yarn needle, stitch marker.

**GAUGE:** 12 hdc = 4”; 12 rows = 4” using. **CHECK YOUR GAUGE. Use any size hook to obtain the gauge.**

### SUNDRESS/SKIRT

With **A**, loosely ch 81 (97, 113, 129, 145), slip st in first st to form a ring. Place marker for beginning of round.

**Round 1:** Ch 1, hdc in each ch around, slip st in first ch to join – 80 (96, 112, 128, 144) sts.

**Round 2:** Ch 4 (counts as dc and ch 1 here and throughout), skip next hdc, [dc in next hdc, ch 1, skip next st] around, slip st in 3rd ch of beginning ch.

**Rounds 3-7:** Slip st to first ch-1 space, ch 4, [dc in next ch-1 space, ch 1] around, slip st in 3rd ch of beginning ch. Fasten off.

**Round 8:** Join **B** with a slip st in first ch-1 space, ch 4, dc in next ch-1 space, [ch 1, dc in next ch-1 space] around, ch 1, slip st in 3rd ch of beginning ch.

**Round 9:** Slip st to first ch-1 space, ch 4, [dc in next ch-1 space, ch 1] around, slip st in 3rd ch of beginning ch. Fasten off.

**Round 10:** Join **A** with slip st in dc, ch 2 (counts as hdc here and throughout), [hdc in next ch-1 space, hdc in next dc] around, slip st in top of beginning ch.

**Round 11:** Ch 11 (counts as dc and ch 8 here and throughout), [skip next 3 hdc, dc in next hdc, ch 8] around to last 3 hdc, skip 3 hdc, slip st in 3rd ch of beginning ch.

**Rounds 12-17:** Slip st to next ch-space, ch 11, [dc in next ch-8 space, ch 8] around, slip st in 3rd ch of beginning ch.

**Round 18:** Ch 8 (counts as dc and ch 5 here and throughout), dc in same ch-8 space, [ch 5, dc in next ch-8 space, ch 5, dc in same ch-8 space] around, slip st in 3rd ch of beginning ch. Fasten off.

**Round 19:** Join **B** with a slip st in ch-5 space, ch 8, [dc in next ch-5 space, ch 5] around, slip st in 3rd ch of beginning ch.

**Round 20:** Ch 3 (counts as dc here and throughout), work 4 dc in next ch-5 space, dc in next dc, [ch 5, skip next ch-5 space, dc in next dc, work 4 dc in next ch-5 space, dc in next dc] around to last ch-5 space, ch 5, skip ch-5 space,



©2010 Coats & Clark  
P.O. Box 12229  
Greenville, SC 29612-0229

For more ideas & inspiration -

[www.redheart.com](http://www.redheart.com)

[www.crochettoday.com](http://www.crochettoday.com) [www.knittingtodaymag.com](http://www.knittingtodaymag.com)

# doublestitch twins

slip st in top of beginning ch.

**Round 21:** Ch 8, [skip next 4 dc, dc in next dc, work 4 dc in next ch-5 space, dc into next dc, ch 5] around to last ch-5 space, dc in dc, 4 dc in ch-5 space, slip st in 3rd ch of beginning ch.

Fasten off.

**Round 22:** Join **A** in beginning ch, ch 3 (counts as dc), 4 dc in ch-5 space, [dc in dc, ch 5, skip 4 dc, dc in next dc, 4 dc in ch-5 space] around, slip st in top of beginning ch.

**Round 23:** Ch 3, [dc in next 5 dc, ch 5, skip ch-5 space, dc in next dc, ch 5, skip ch-5 space] around, slip st in top of beginning ch.

**Round 24:** Ch 2, [hdc in each dc, work 5 hdc in ch-5 space] around, slip st in top of beginning ch.

**Round 25:** Ch 3, work 2 dc in same space, dc in next st, [3 dc in next st, dc in next st] around, slip st in top of beginning ch.

**Round 26:** Ch 2, hdc in each st around, slip st in top of beginning ch.

Fasten off.

## FINISHING

### Chain Belt

**Row 1:** With right side facing and **B**, working along opposite edge of foundation ch, ch 100, beginning in any st, hdc in each st around to last 3 sts, leave last 3 sts unworked, ch 100.

Fasten off.

**Row 2:** With **A**, ch 100, hdc in each hdc, ch 100.

Fasten off.

**Row 3:** With **B**, repeat Row 2.

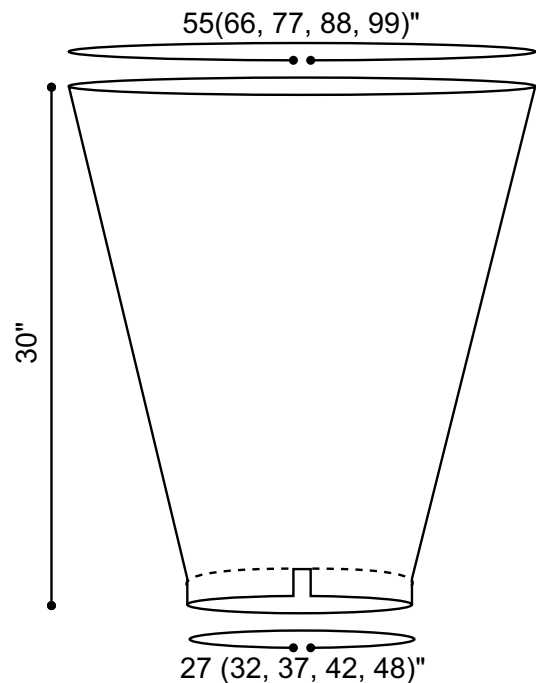
**Row 4:** With **A**, repeat Row 2.

Weave in ends.



**STITCH NATION** by Debbie Stoller™  
"Bamboo Ewe™" Art. T101 available in  
3.5 oz (100 g); 177 yd (162 m) balls.

**Abbreviations:** **A, B, C** = Color A, B, C; **ch** = chain; **dc** = double crochet; **hdc** = half double crochet; **mm** = millimeters; **sc** = single crochet; **st(s)** = stitch(es); **[ ]** = work directions in brackets the number of times specified.



©2010 Coats & Clark  
P.O. Box 12229  
Greenville, SC 29612-0229

For more ideas & inspiration -

[www.redheart.com](http://www.redheart.com)

[www.crochettoday.com](http://www.crochettoday.com) [www.knittingtodaymag.com](http://www.knittingtodaymag.com)